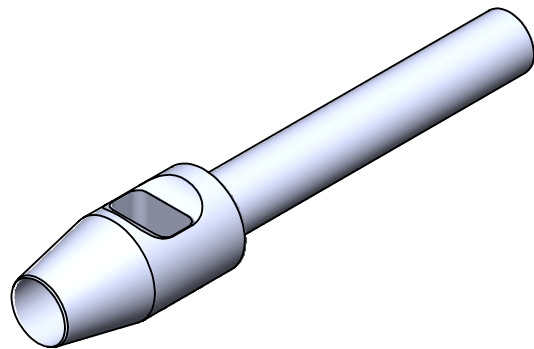
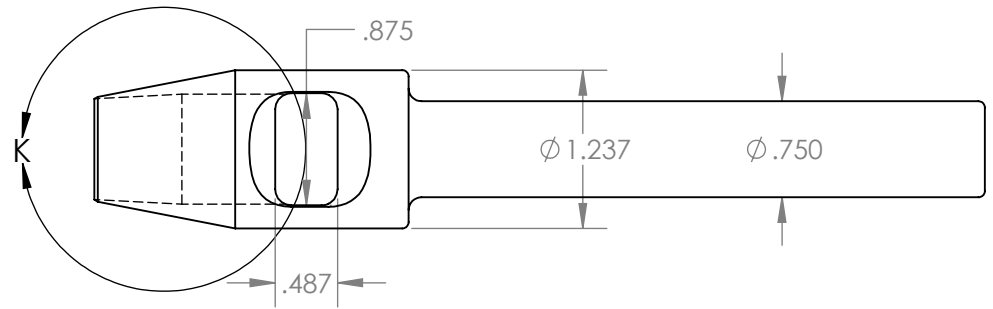
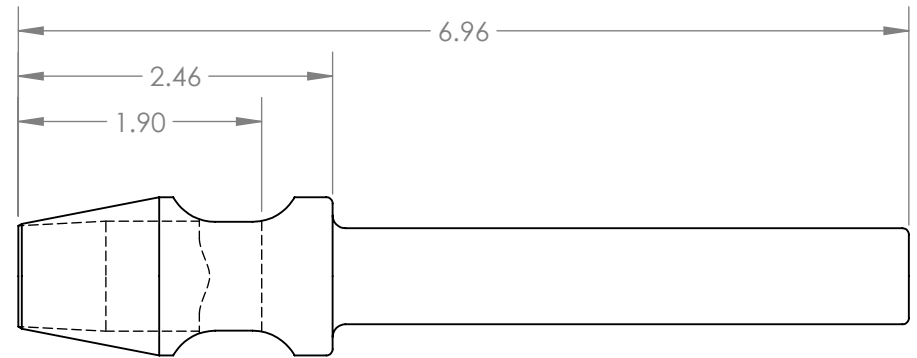



DETAIL K  
SCALE 2 : 1



UNLESS OTHERWISE SPECIFIED: DIMENSIONS ARE IN INCHES			TOLERANCES: LINEAR: X.XX= $\pm 0.063$ X.XXX= $\pm 0.005$		 <p>The Global Source for Stainless Steel Tools</p>
DRAWN	NAME	SIGN	DATE	ANGLES: X.XX= $\pm 2.0^\circ$	
APP'VD	A.T.		10.31.18		TITLE: <b>20.0MM HOLE PUNCH</b>
MATERIAL: <b>420 MAGNETIC S.S.</b>					PART NO. <b>50120</b>
THIS DRAWING IS THE PROPERTY OF STERITOOL, INC. ANY REPRODUCTIONS OR MODIFICATIONS OF THIS DRAWING OR ITS CONTENTS WITHOUT THE CONSENT OF STERITOOL, INC. IS PROHIBITED.					SCALE: NOT TO SCALE
					SHEET 1 OF 1
					REV: <b>A</b>